

The **BENDIX** autowasher Model 7143

Made in Italy



Operating & Installation Instructions

You are now the proud owner of a Bendix Autowasher and you will be pleased to find that it washes, rinses and spins without you having to handle the clothes in between times.

You will obviously want to obtain the best possible wash from your machine. By reading and following the instructions in this booklet you will achieve excellent results.

Please also ensure that the Installation Instructions have been carefully followed before any attempt is made to operate your machine.

If you should need any further advice or assistance please contact the Bendix agent from whom your machine was purchased or your nearest Bendix Service Depot.

Capacity and Performance Features:

Dry Laundry Maximum 10 lb (4.5 kg)

Water level: 14 litres (3.1 gallons) 19 litres (4.2 gallons)

Water Supply: Hot and Cold

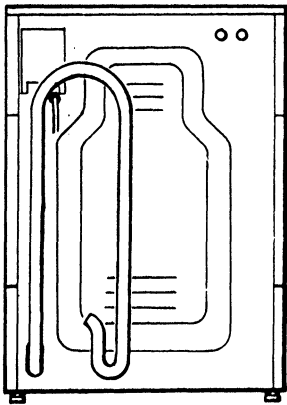
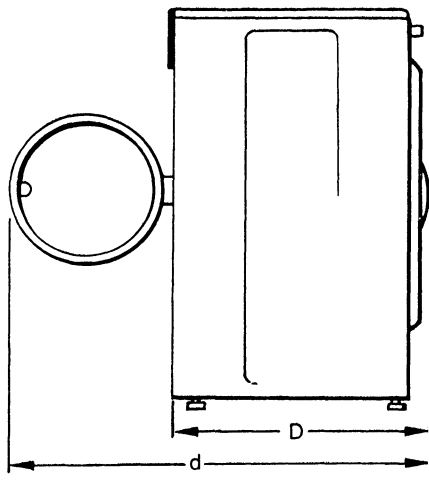
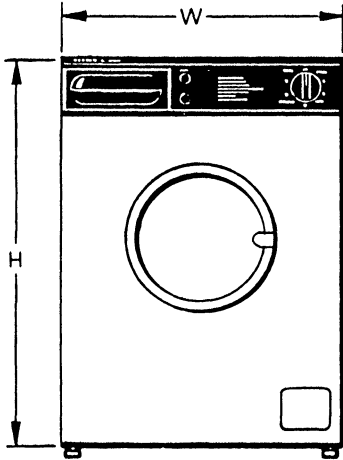
Cylinder Volume 45.3 litres (1.6 cu.ft.)

Spin Speeds 500 and 800 r.p.m.

Installation Instructions

Model 7143 Autowasher

DIMENSIONS

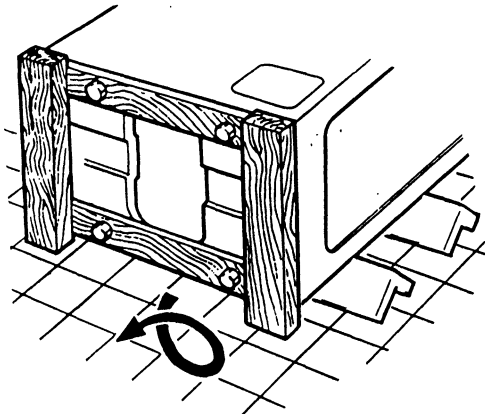


Height, overall (H)	850 mm	33 1/2 in
Width (W)	595 mm	23 1/8 in
Depth - door closed (D)	572 mm	22 1/2 in
- door open (d)	960 mm	37 3/4 in
Weight - empty	86 kg	190 lb
- dry load	4.5 kg	10 lb

Electrical loadings:	
Heater	1950W
Motor - tumble	250W
- spin	300W & 500W
Drain Pump	95W

SITE REQUIREMENTS

A firm, level, and a relatively smooth floor, with the services brought to the appliance. A minimum of 12 mm (½ in) clearance is required each side of the appliance to permit removal for servicing.



Release pallet
Do not lay appliance on its side

UNPACKING & INSTALLATION

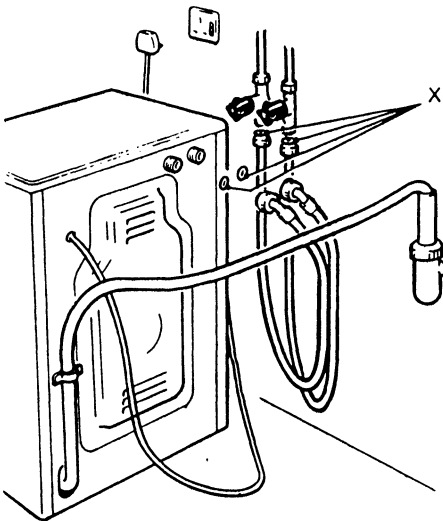
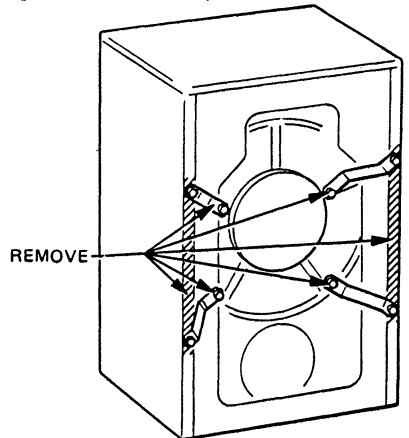
Remove the box, corner pieces and pallet. Remove back panel screws and lift panel clear. Remove the four internal transit straps as shown in the diagram below, together with the three chassis bracing straps and store in a convenient place together with the fixing bolts and washers.

Insert the four plastic plugs provided into the four bolt holes vacated by the transit fixing bolts in the back panel.

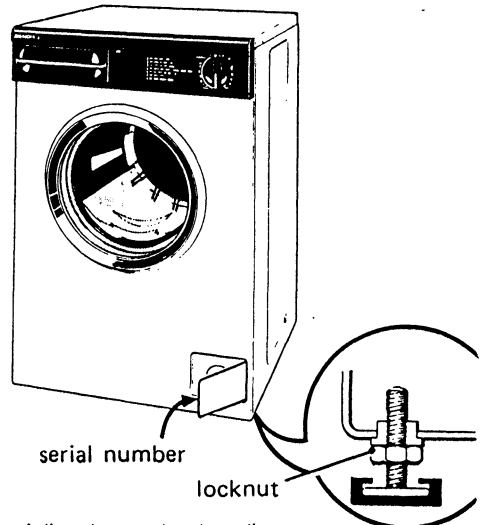
Relocate and fix the back panel.

Always refit the transit straps before transporting the appliance.

Connect the hoses, making sure that the sealing washers 'x' are in place.



Connect water and drainage



Adjust legs to level appliance

ELECTRICITY

Used and earthed supply: 240V 50Hz a.c.

Mains lead: 3 core 2.7 m 9ft

Fuse ratings: 13A or 15A

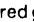
WARNING THIS APPLIANCE MUST BE EARTHED

If this appliance is fitted with a non-rewireable plug for which your socket is unsuitable then it should be cut off and an appropriate plug fitted. The removed plug should be disposed of as insertion of the plug into a 13 A socket is likely to cause an electrical hazard. If it is necessary to change the fuse in a non-rewireable plug the fuse cover must be refitted. If the fuse cover is lost or damaged the plug must not be used until a replacement is obtained. Replacement fuse covers are available from THORN EMI Domestic Appliances Ltd., Service Division, Limberline Road, Hilsea, Portsmouth, Hants. Tel: 0705 664466. It is important that the colour of the replacement fuse cover corresponds with the colour marking on the base of the plug.

IMPORTANT- The wires in the mains lead are coloured in accordance with the following code:

GREEN AND YELLOW	EARTH
BLUE	NEUTRAL
BROWN	LIVE

As the colours of the wires in the mains lead of this appliance may not correspond with the colour markings identifying the terminals in your plug proceed as follows:

The wire which is coloured green and yellow must be connected to the terminal which is marked with the letter 'E' or by the 'Earth' symbol  or coloured green or coloured green and yellow.

The wire which is coloured blue must be connected to the terminal which is marked with the letter 'N' or coloured black. The wire which is coloured brown must be connected to the terminal which is marked with the letter 'L' or coloured red.

The appliance must be protected by a 13 A ASTA approved (BS1362) fuse if a 13 A (BS1363) plug or a non-rewireable plug is used or, if any other type of plug is used, by a 15 A fuse either in the plug or adaptor or at the distribution board.

WATER

Supply: Hot & Cold

Pressure - minimum 25 kN/m² 3.5 lb/in²
 - maximum 1000 kN/m² 150 lb/in²

Temperature: Hot water 60°C maximum

Inlet connection ¾ BSP ¾ BSP

Inlet hose length 1.35 m 53 in

Inlet height HS 775 mm 30½ in

Water head min. 3.0 m 10 ft

Preferred stopcock position: at side of machine

Stopcock recommended:

Bendix 24041 & 24042

CONNECTING THE WATER SUPPLY

The diagram shows a typical domestic plumbing system. Connections can be made by fitting tee-pieces in the existing pipework. Before using the new pipework for the first time flush out swarf and flux.

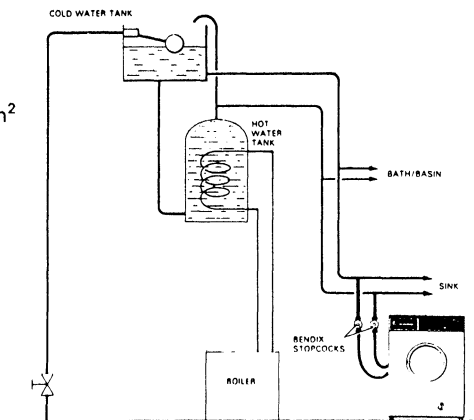
Permanent connections to Bendix stopcocks located at the side of the appliance are recommended. Ensure that they are positioned near enough to the appliance to permit moving it for servicing.

Where necessary the appliance can be used on cold-only water supply by connecting both water inlets by means of a Bendix F-connector 25115.

Instantaneous Water Heaters

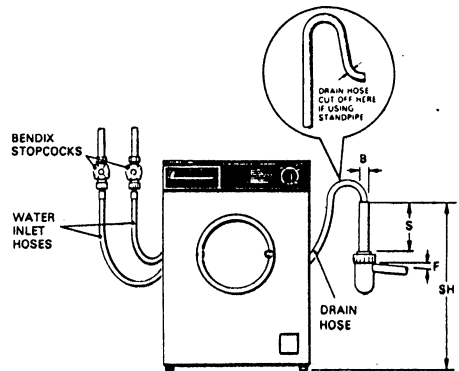
This model is suitable for use with some makes of instantaneous gas water-heaters. Full details of compatible water-heaters should be obtained from the heater manufacturer or Gas showroom.

The use of these heaters may require more frequent cleaning of the Autowasher water inlet filters than would be necessary with other water heating methods.



DRAINAGE

Length of drain hose	1.2 m	4 ft
Standpipe bore (B)	38-40 mm	1 ½ in
Standpipe to floor (SH)		
- maximum	1 m	40 in
- minimum	0.6 m	24 in
Preferred minimum standpipe (S)		
	380 mm	15 in
Suggested trap	Bottle type	
Fall to drain (F)	100 mm/m	1 in/ft



CONNECTING THE DRAINAGE

Important

Before using your machine for the first time ensure that the drain screen is fitted correctly. Failure to do so may result in a flood.

A standpipe is recommended, with the dimensions shown. If the appliance is to be left connected to the plumbing and drainage the moulded hook can be trimmed before insertion in the standpipe.

The hose can be hooked over the edge of a sink in which case the hose must be left as supplied.

Permanent drainage arrangements should conform to the dimensions given. There must be an airbreak or the appliance may siphon.

The drain pipe should not be pushed into the standpipe more than 200 mm (8 in).

The dimensions given in these instructions are not intended to be direct conversions between metric and imperial units. Please work in one set only.

The recommendations set out are suggestions only. All installations must comply with the requirements of local authorities or public utilities.

This appliance complies with European Economic Community Radio Interference Directive 82/499/EEC.

Adjustable Feet

It is important that the machine is stable and level during operation. To help you obtain these conditions the machine is fitted with adjustable front feet. Before you adjust the feet, however, make sure you have fitted the rubber cups onto the four feet. To prevent the cups being pulled off during moving the machine to its final site, you can, if you wish, stick the rubber cups to the feet with a little Bostick impact adhesive.

To adjust the feet, loosen the locking nuts and adjust both feet to give a level and stable position and then retighten the locking nuts.

Note: If the appliance is to be located on an area which is carpeted, then we recommend the use of a piece of hardboard beneath the machine in its final resting position to help you locate the machine correctly.

Bathroom Installations

This appliance must be installed in accordance with the IEE regulations, in particular with regard to installation in bathrooms; if not we reserve the right to refuse to service it.

OPTIONAL EXTRAS

Bendix stopcocks 24041 (Hot) and 24042 (Cold) and Cold-Fill F-connector 25115 are available to help with the installation and use of the appliance.

Operating Instructions - Know your BENDIX autowasher

Mains Indicator Light - Glows when power is on to the machine and a programme selected.

Mains On/Off Button

Press to switch power onto the machine.

Wash Timer Dial/Programme Selector

Use to select the wash programme required. Once selected the Wash Timer Dial/Programme Selector rotates and shows how far through the wash programme your machine has progressed.

A useful guide for matching fabrics to wash programme can be seen on the fascia panel and again on pages 8 and 9.

Detergent Dispenser

The detergent dispenser is designed so that detergents and additives will flush automatically into your machine. It is divided into three compartments "A" for pre-wash or Bio powders, "B" for main wash powders and "C" for additives i.e. fabric softeners such as Comfort.

NOTE: The detergent dispenser drawer and housing should be regularly cleaned to prevent a build up of detergent and fabric softener. The dispenser drawer is easily removed by pulling as far as it will go, then giving a sharp tug. Rinse the dispenser drawer under the tap, dry and replace by slotting the top of the draw into the runners on the top of the opening and close in the normal way.

Half Load Button

When pushed limits the quantity of water to be heated, suitable for smaller loads.

Drain Screen

The removable drain screen which protects the pump from lint and foreign matter needs to be cleaned periodically. How often will depend on your wash load e.g. cotton towels and nappies cause more lint to collect than nylon loads.

First ensure that your machine is empty. Open the service door by pressing on the right hand side.

Unscrew the bayonet fixing by turning anti clockwise and pull the drain screen out. Have a cloth or shallow tray under the drain screen housing, as a small quantity of water may run out. Clean the screen under running water to help remove the trapped lint. Replace the screen by sliding back into the housing. Tighten the bayonet fixing until the screen is secure.

Fill and Drain Hose

Most Important: Make sure that these are not kinked or the machine will not operate.

Adjustable Feet

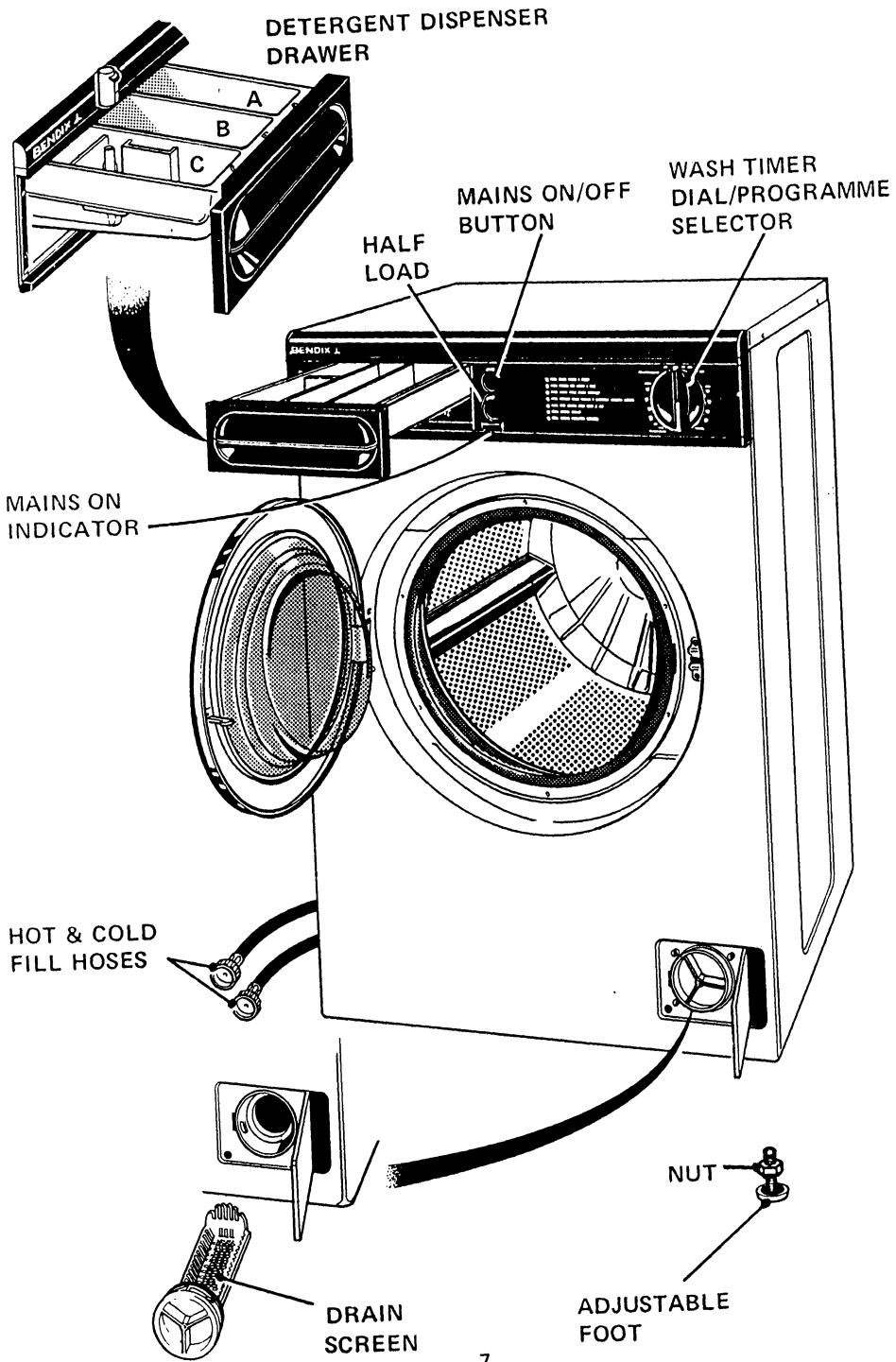
Check that your machine is level by adjusting the feet. See the installation instructions for further details.

Ensure that the rubber floor protectors are in position under the feet.








Transit Brackets

Most Important (As shown in the Installation Instructions)

These must be removed before use. Failure to do so will damage your machine.



BENDIX autowasher

Programme	Fabric	Biowash 50°	Prewash 40°	Main Wash
	Whites, cotton & linen	Yes, select if required	Yes, select if required	95°C
	Colour fast cotton and linen	Yes, select if required	Yes, select if required	60°C
	White nylon, Sturdy synthetics	Yes, select if required	Yes, select if required	60°C wash period
	Coloured nylon, Polyester, cotton mixtures, terylene drip dry	Yes, select if required	Yes, select if required	50°C
	Non-colour fast cotton and linen	No	Yes, select if required	40°C
	Delicate fabrics	No	Yes, select if required	40°C
	Machine washable woollens	No	No	40°C

Programme Guide

Number of Rinses	Rinse and Hold	Spin	Full Load	Notes
3	No	800	10 lb (4.5 kg)	A very high temperature maximum wash action which allows oxygen bleaches to work to maximum effect. Keeps whites white.
3	No	800	10 lb (4.5 kg)	A hot wash with maximum wash action to keep colours bright and fresh looking.
3	Yes	500	4½ lb (2 kg)	A hot wash with medium wash action for white nylon and white polyester cotton mixed. Always wash white nylon separately as it picks up dyes from coloured synthetics.
3	Yes	500	4½ lb (2 kg)	A warm wash with medium wash action to preserve the appearance of coloured synthetic fibre and cotton mixtures.
3	No	800	10 lb (4.5 kg)	A tepid wash with maximum wash action to prevent the transfer of colour from non fast coloured cottons and linens etc.
3	Yes	500	4½ lb (2 kg)	A tepid wash with a minimum wash action to care for delicate fabrics.
3	No	800	3¼ lb (1.5 kg)	A tepid wash with special wash action to care for machine washable woollens.

Using your BENDIX autowasher

Always use a low sudsing detergent like Persil Automatic in your machine, as this is specially formulated to work in conjunction with your Autowasher to give the best results.

Initially water enters the machine and flows directly to the drum by pressing the detergent dispenser preventing waste of detergent into the sump.

Detergents will be flushed automatically into the machine from the detergent dispenser. The suds level should never rise more than halfway up the porthole. Too much foam will not only impede the wash action of your machine but may rise through the detergent dispenser, making a mess on the floor!

If this should happen clear excessive suds by setting the Wash Timer Dial/Programme Selector to the beginning of the first rinse - Setting and allow the machine to rinse out.

The following quantity of powder are a guide for average water supplies. If the water is very hard, more powder may be needed. If very soft, less will be needed. If you are in doubt refer to the instructions on the packet.

If you have a more heavily soiled load and decide to use the pre-wash before a main wash, use approximately one third of the powder in the pre-wash compartment 'A' of the dispenser and the remaining two thirds in the main wash 'B' compartment.

Note: an average teacup holds (2½-3oz) 75g-90g.

Half Load		Full Load	
Pre-wash (2oz)	main-wash (3oz)	Pre-wash (2½oz)	main-wash (5½oz)
60g	100g	75g	160g

Fabric Softeners e.g. Comfort

All fabrics, particularly towels and nappies, benefit from the use of fabric conditioners in the final rinse. Items of laundry feel softer; are more easily ironed and the clinging effect of synthetics is considerably reduced.

To use: Pour the conditioner into the "Additives" compartment "C" of the detergent dispenser to the level indicated on the syphon. Under no circumstances overfill, as the conditioner will immediately be syphoned into the machine.

Preparation Before You Wash

Today many garments carry a label under the International Textile Care Labelling (ITCLC) scheme indicating the correct type of wash treatment required. You will find that this label corresponds to the Wash Chart on Pages 8 and 9.

Sort your washing according to the Care Label number given on the garment, or if absent, according to the fabric and type of wash treatment required. Your Bendix Autowasher takes up to 10 lb (4.5 kg) dry weight of clothes.

If you decide for one reason or another to mix fabrics, always use the wash programme for the most delicate fabric in the load. For example a wash load made up with fabrics from the wash groups 1 and 2 should be washed on 2, similarly a wash load with fabrics from 3 and 4 should be washed on 4 etc. White nylon, and delicate items i.e. programmes 3, 4, 6, should be washed separately.

Make sure that all pockets have been emptied, zips fastened and apron strings tied. Remove pins and other small objects which could harm clothes if they become separated in the machine.

If possible make up loads of similar soiling keeping heavily soiled items separate from lightly soiled clothes. Heavily soiled parts such as shirt cuffs and collars may be pre-treated by brushing with a solution of detergent and water; this should be applied lightly to the right side of the garment.

Stain Removal

Most household stains come out in the normal wash, but there are some which require special treatment. The following hints may help with common stains.

When using a stain remover or bleach follow the makers' direction carefully. Never use full strength bleach on any fabrics.

Rinse thoroughly after any special treatment. Chemicals left in fabrics can weaken or destroy some fibres. Test fabrics for possible damage to fibres or colour before tackling the stained area.

Stains

Coffee, Tea, Fruit, Wine,	These are usually removed in the wash. For old stains, soak in a biological wash product, then launder in the usual way.
Grass, Ink, Ballpoint	Dab with methylated spirits over a soft cotton pad, then launder in the usual way. Do not use methylated spirits on Tricel. Treat ink stains on Tricel with Glycerine.
Tar	Scrape off excess, dab with petrol over a soft cotton pad. (Caution. Petrol is inflammable).
Scorch	Moisten light stains and soak in glycerine then wash. If stains remain, soak in one part hydrogen peroxide to nine parts water; wash through and rinse thoroughly.
Iron Mould	Soak light stains in lemon juice, press between damp cotton, repeat if necessary.
Grease, Fat, Lipstick, Blood, Egg, Milk, Cream, Meat Juice	Treat with a proprietary grease solvent. Soak in biological solution, then launder in the usual way.
Mildew	Treat with peroxide. Soak (using one part hydrogen peroxide to nine parts water), rinse well. Care must be taken with coloured fabrics.

Before washing your coloured garments - check that the colours are fast!

Usually it is recommended that coloureds be washed separately from whites, but some fast dyed items i.e. sheets, towels can safely be washed together with your family household linen.

Non-fast coloured articles should always be washed at the recommended temperature.

Guide to wash load weights

Regular Wash	Sheet ... Cotton	(D)	2½lb.	1.1 kg
		(S)	1½lb.	670g
	Other than cotton	(D)	1½lb.	670g
		(S)	1¼lb.	570g
	Cot Sheet		6oz.	170g
	Pillowslips Cotton		4oz.	113g
	Others		3oz.	85g
	Bath Towel		1½lb.	680g
	Hand Towel		9oz.	255g
	Tablecloth Small		8oz.	227g
	Large		1½lb.	680g
	4 table napkins		6oz.	170g
	Personal	Shirt ... Cotton		10oz.
Others			7oz.	198g
Blouse ... Cotton			5oz.	142g
Others			4oz.	113g
Cotton Vest			4oz.	113g
Underslip			4oz.	113g
Panties			2oz.	56g
Bras			1oz.	28g
Pyjamas			12oz.	340g
Nightdress			5oz.	142g
Socks ... Long 2 prs.			6oz.	170g
Short 2 prs.			3oz.	85g
6 Hankies			3oz.	85g
1 doz. Nappies		2½lb.	1.1kg	
Special Wash	Candlewick Bedspread			
	Double		7lb	3.18kg
	Single		5lb	2.27kg
	Blanket ... Wool		4¼lb.	2kg
	Acrylic		3¼lb.	1.5kg
	Dress ... Cotton		12oz.	340g
	Others		12oz.	340g
	Sweater ... Wool		14oz.	400g
	Others ... Heavy		12oz.	340g
	Lightweight		6oz.	170g
	Crimplene Suit			
	H/W		3lb.	1.36kg
	Lightweight		2lb.	910g
Skirt		7oz.	198g	

Loading the Drum

When you have a large wash load made up of shirts, towels, pillowcases, pyjamas and other similar small items, pack them loosely into the drum.

Large items, a candlewick bedspread for instance, should be washed individually as such a bulky article fills the drum.

When washing a mixed load, put medium and small items into the cylinder alternately. A sheet should be picked up by the centre tentwise, shaken and then folded, pressing out the air.

Wash Programme

The choice of programmes on your machine enables you to select the best programme for your wash load. The programmes on the Wash Timer Dial/Programme Selector correspond to the Care Labelling Code of the International Care Labelling Scheme. See the chart on pages 8 and 9.

After a Bio or Pre-wash the machine will stop, set the selector to the required Main Wash Programme.

Bio Wash

It could be that you have items of laundry which would benefit from a Bio-wash, e.g. blood, gravy, egg stains etc. Follow the above procedure, making sure that the low suds bio detergent goes into the dispenser compartment 'A'. Switch the machine on and Start by turning the Wash Timer Dial/Programme Selector to the required setting.

The machine will now automatically heat the water to 50°C approx. The correct temperature for the Bio-detergent to function. During this time your clothes are tumbled clockwise and anti-clockwise with pauses in between to help loosen and disperse the soil present.

The Biological wash and soak will take approximately half an hour, after which time your machine will stop - at this point the door may be opened and further garments added for the main wash.

Pre-Wash

On more heavily soiled wash loads a Pre-wash will help to obtain a better wash. It will disperse any superficial dirt and help loosen soil ready for the main wash. It can be used in conjunction with most wash programmes - synthetics as well as natural fibres.

To obtain a Pre-wash load the machine, place the correct quantity, see page 10 of low suds detergent in both the pre-wash and main wash sections of the soap dispenser. Select the required Pre-wash and start the machine by turning the Wash Timer Dial/Programme Selector. Once set the machine will automatically heat the Pre-wash water to 40°C, pre-wash, drain spin and stop. The Pre-wash takes approx. 17 mins.

Main Wash

To start the machine without a Bio-wash or pre-wash ensure that the Wash Timer Dial/Programme Selector is turned to the desired programme, (see charge on pages 8 and 9) and the correct quantity of low suds detergent is in the main wash compartment of the detergent dispenser. Start the machine by turning the Wash Timer Dial/Programme Selector. The machine will commence with a pre-fill.

Pre-Fill

At the start of the main wash. The machine will pre-fill through the pre-wash compartment A. This means that initially water will flow into the machine bypassing compartment B, this is to prevent unnecessary loss of valuable detergent into the sump.

Woollens Wash

Your Bendix Autowasher has a programme for woollen articles which has been approved by the International Wool Secretariat for machine washable articles.

Turn the Wash Timer Dial/Programme Selector to the programme for woollens. Don't wash woollens in your Bendix unless the garment has been labelled 'machine washable'. This means that it has been especially treated to minimise shrinkage however, it is advantageous to spin the woollen articles, that have been wash and rinsed by hand as this removes most of the excess water. Set the Wash Timer Dial/Programme Selector to 'Spin'.

Dry woollens carefully to help preserve their texture and shape.

After spinning remove from the drum, pull into shape and dry flat if possible avoiding direct heat.

Do not be tempted to put woollen garments into the tumble drier.

Blankets

Blankets that are labelled 'Machine Washable' can be safely washed on the Wool Programme. Most blanket manufacturers issue specific treatment for their products. Sometimes they will stipulate hand washing or dry cleaning. This particularly applies to wool cellular and honeycomb blankets which should not be machine washed.

Rinsing

All wash cycles automatically include 3 rinses and the programmes for natural fibres go on to spin automatically. It is during the last of the 3 rinses that any additives like fabric softener are taken into the machine.

The 3 programmes for synthetics and delicate fabrics (see pages 10 and 11) have a 'rinse and hold' feature, giving 3 rinses and then retaining the last rinsing water. This feature prevents excess creasing. When you are ready to remove the clothes from the machine turn the Wash Timer Dial/ Programme Selector to 'Spin' and the programme will be automatically completed.

Use the 'rinse and hold' feature for drip dry articles. When you are ready to remove the clothes for drip drying, turn the Wash Timer Dial/ Programme Selector to 'Spin' to drain the water and then turn further to the stop position.

After 1 ½ minutes delay the door may be opened and the clothes removed.

Items that have been hand washed can be rinsed and spun in your Bendix using the rinse and spin sections of the wash cycles. Select rinse 1 on the Wash Timer Dial/ Programme Selector for natural fibres and delicate rinse for synthetic fibres.

After Use

1. Turn off the hot and cold taps to the machine.
2. Make sure that the Wash Timer Dial/ Programme Selector is at the 'Stop' position.
3. Switch off at the power point.
4. Leave the porthole door slightly ajar to assist in drying out.
5. Ensure that the drain screen is clean, especially after washing nappies and towels. If this is not done regularly you may find your Bendix will not drain efficiently. Always remove and clean the drain screen when the machine is empty. Don't forget to replace the drain screen after cleaning. See page 6.
6. If your machine is not permanently installed, disconnect the hoses, remove the electric plug from the socket and coil up the cord.

What's gone wrong?

If your machine won't work please check the following list and make sure that you haven't overlooked anything which might prevent your Bendix from functioning. It will help you and us.

Check that your Bendix is plugged in and switched on and that the indicator light comes on when a programme is selected.

1. Check the 13 amp fuse in the plug. You could try another appliance from the same socket in case the main fuse has blown.
2. Be sure that the hot and cold taps have been fully turned on.
3. Have you selected a Programme?.
4. Check to see that the door is fully closed. The door safety switch prevents the heater and motor operating if the door is open.
5. Is your machine overloaded? If so the motor protector switch will stop the motor. If overloading is the problem, remove some of the clothes but take care not to scald yourself in doing so.
6. *Check that the drain and fill hoses are not kinked (this is a very common cause, particularly if the machine has been moved for any reason) and have been fitted correctly.*
Does the drain screen need cleaning? See Page 6 - but first drain off any water in the appliance.

If after checking all these points your machine still does not work contact your nearest Bendix Service Branch. See list on page 16. Or look under 'Bendix' in the telephone book.

Note If on making a service call, our engineer finds that the only attention required is to remedy one of the above conditions, a charge will be made whether the machine is in or out of the guarantee period, or under Service Contract.

Moving House

If you plan to move, contact your authorised Bendix Serviceman to see what should be done before and during the moving of your machine, particularly in respect of refitting the transit brackets/bars.

THORN EMI MAJOR DOMESTIC APPLIANCES LIMITED SERVICE DEPOTS

ABERDEEN: 0224 572586

ALDERSHOT: Gordon House, Gordon Road, Aldershot GU11 1LD.

Tel: 0252 29555. Telex: 858876

BELFAST: Prince Regent Road, Castlereagh, Belfast BT5 6QR.

Tel: 0232 793209. Telex: 74695

BIRMINGHAM: Unit 15, Charlton Drive, Corngreaves Trading Estate, Cradley Heath, Warley, West Midlands B64 7BJ. Tel: 0384 64971. Telex: 336617

BRISTOL: 5th Floor, Beacon Tower, Fishponds Road, Bristol BS16 3HQ.

Tel: 0272 651341/4. Telex: 449202

CAMBRIDGE: 5A Buttermarket, Ely, Cambridgeshire CB7 4NY.

Tel: 0353 67821. Telex: 81312

CANVEY ISLAND: 2-4 Sandhurst, Kings Road, Canvey Island, Essex SS8 0QY.

Tel: 0268 694144. Telex: 99416

CARDIFF: Guardian Industrial Estate, Clydesmuir Road, Tremorfa, Cardiff CF2 2QS.

Tel: 0222 394131. Telex: 498616

DUBLIN: THORN EMI Carlile Ltd, Long Mile Road, Dublin 12. Tel: (01) 518666.

ELGIN: Tel: 0343 45280

GATESHEAD: First Avenue, Team Valley Trading Est., Low Fell,

Gateshead, Tyne & Wear NE11 OPW. Tel: 0632 873321. Telex: 537314.

GLASGOW: 20 Cunningham Road, Clyde Estate, Rutherglen, Glasgow G73 1PP.

Tel: 041 647 4381. Telex: 779628

INVERNESS: 0463 33018

KENDAL: 0539 31158

LONDON: Empire Way, Wembley, Middlesex HA9 0BA.

Tel: 01 903 3421. Telex: 925755

MANCHESTER: Ashton Street, Dukinfield, Cheshire SK16 4RN.

Tel: 061 330 5081. Telex: 666541

NEWTON ABBOT: NAM Unit, Battle Road, Heathfield, Newton Abbot, Devon TQ12 6TE.

Tel: 0626 832033. Telex: 42656

NORTHAMPTON: 0604 36669

NORWICH: 0603 617968

NOTTINGHAM: Acorn Park, Midway City Industrial Estate, Dunkirk, Nottingham NG7 2TN.

Tel: 0602 861131. Telex: 377251

OXFORD: Suite 3, Windrush Court, 56A High Street, Witney OX8 6BL.

Tel: 0993 4411. Telex: 83393

PORTSMOUTH: Area Service Office, Limberline Road, Hilsea, Portsmouth PO3 5JJ

Tel: 0705 667411. Telex: 86735

SOUTHPORT: Slaidburn Crescent, Fylde Road Industrial Estate, Southport PR9 9YF.

Tel: 0704 29221. Telex: 677201

TAUNTON: 0823 51137

TELFORD: Unit D2, Stafford Park 4, Telford, Salop TF3 3AS. Tel: 0952 618721. Telex: 35417

TONBRIDGE: 36 Morley Road, Tonbridge, Kent TN9 1RA. Tel: 0732 357722. Telex: 95269

TRURO: 0872 78702

WAKEFIELD: Monckton Farm, Industrial Estate, Denby Dale Road, Wakefield WF2 7AU.

Tel: 0924 371851. Telex: 557744

WREXHAM: 0978 261847

YORK: 0978 641700



THORN EMI
Major Domestic Appliances Limited

New Lane, Havant, Hant PO9 2NH

Part No. 81953/3