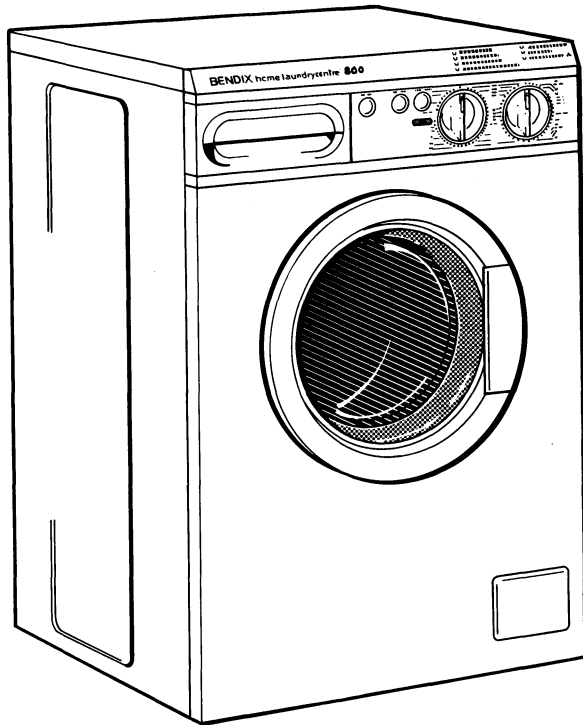


# BENDIX

home laundry centre 800



model 73188  
operating and installation instructions

BENDIX MODEL 73188

HOME LAUNDRY CENTRE

INSTRUCTION BOOK AMENDMENT

1. PLEASE NOTE "HEATED TUMBLE", instructions on page 7 should read:

Up to 120 minutes of heated tumble can be selected including a cool tumble at the end to reduce creasing. For synthetic fibres the heated tumble time should not exceed 80 minutes.

2. PLEASE NOTE "HEAT SETTING" column on page 12 should read:

RECOMMENDED DRYING TIME

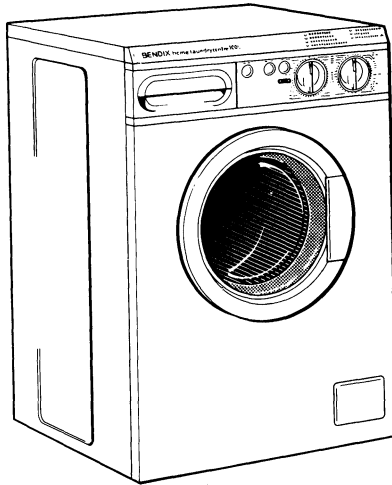
Programme

1. Up to 120 minutes
  2. Up to 120 minutes
  3. Up to 80 minutes
  4. Up to 80 minutes
  5. Up to 120 minutes
  6. Up to 80 minutes
  7. Nil
3. PLEASE DISREGARD any reference to High/Normal heat settings.
  4. PLEASE DISREGARD the following paragraph on page 3 "SITE REQUIREMENTS - exhaust vent"
  5. PLEASE DISREGARD paragraph 3 on Page 8. Note: "If your Home Laundry Centre ..... be fitted."
  6. PLEASE DISREGARD any reference to PAUSE CANCEL button eg:  
Page 10 column 2 point 5 "If wash programmer .... to be completed."

# **BENDIX**

## **Home Laundry Centre 800**

### **Model 73188**



## **Operating & Installation Instructions**

You are now the proud owner of a Bendix Home Laundry Centre which will wash, rinse, spin and dry without you having to handle the clothes.

You will want to obtain the best results from your machine and by reading and following the instructions in this booklet you will achieve excellent results.

Please also ensure that the Installation Instructions have been carefully followed before any attempt is made to operate your machine.

If you should need any further advice or assistance please contact the Bendix retailer from whom your machine was purchased or your nearest Bendix Service Depot.

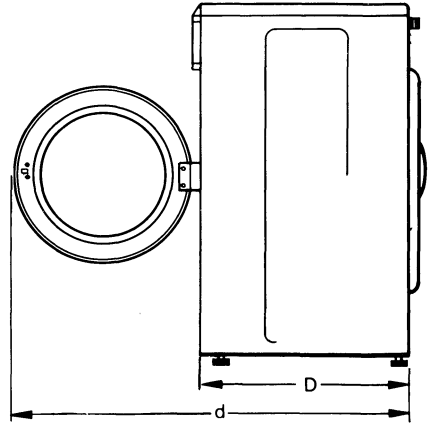
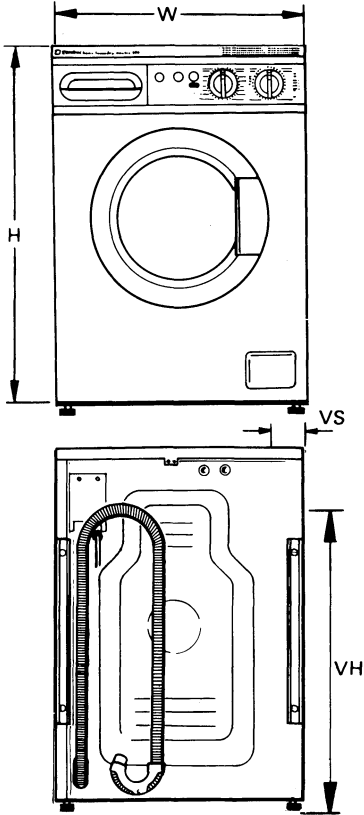
### **Capacity and Performance Features:**

Maximum dry weight, Wash only	4.5 kg (10 lb)
Maximum dry weight, Wash and dry	2.7 kg (6 lb)
Water levels	Full load 19 litres (4.2 gals) Economy load 14 litres (3.1 gals)
Water Supply	Hot and Cold or cold only with adaptor
Cylinder Volume	45.3 litres (1.6 cu.ft.)
Spin Speeds	800 and 500 r.p.m.

# Installation Instructions

## DIMENSIONS

# Model 73188 Home Laundry Centre 800

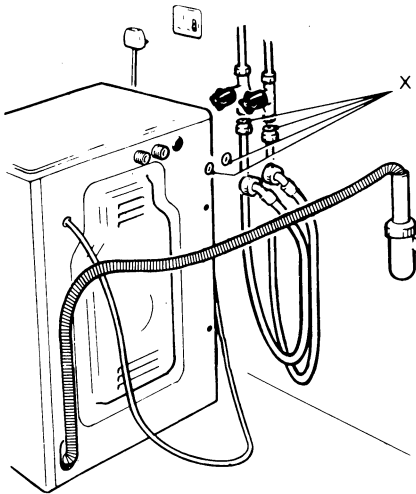
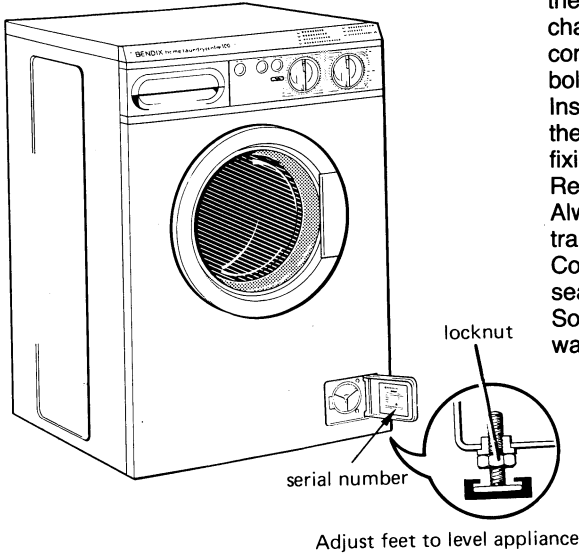


Height, overall (H)	850 mm	33½ in
Width (W)	595 mm	23½ in
Depth - door closed (D)	572 mm	22½ in
- door open (d)	960 mm	37¾ in
- with vent hose	600 mm	24 in
Height VH	678 mm	26¾ in
VS	60 mm	2¾ in
Weight - empty	86 kg	190 lb

Electrical loadings:	
Water Heater	2500W
Tumble Drying	1300W
Motor	- spin 550W
	tumble 300W
Drain Pump	90W

## SITE REQUIREMENTS

A firm, level and a relatively smooth floor, with the services brought to the appliance. Your machine should, where possible, be located against an outside wall to simplify the fitting of the exhaust vent.



Connect water and drainage

## UNPACKING AND INSTALLATION

Remove the box, corner pieces and pallet. Remove back panel screws and lift panel clear. Using the spanner provided, remove the four internal transit straps as shown in the diagram below, together with the three chassis bracing straps and store in a convenient place together with the fixing bolts and washers.

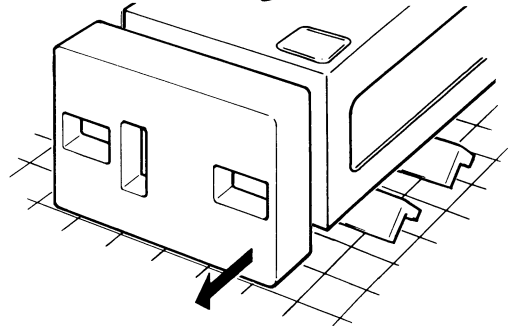
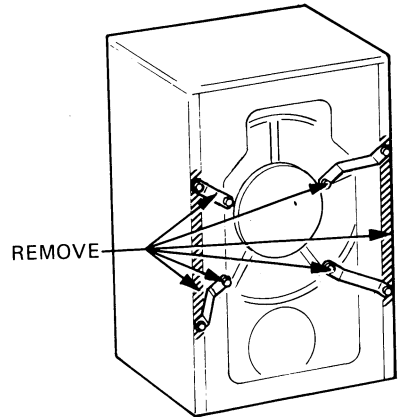
Insert the four plastic plugs provided into the four bolt holes vacated by the transit fixing bolts in the back panel.

Relocate and fix the back panel.

Always refit the transit straps before transporting the appliance.

Connect the hoses, making sure that the sealing washers 'x' are in place.

Some hoses now incorporate the sealing washers 'x' into the connectors.



Lay machine on its back.

Remove polystyrene base by pulling off.

Do not lay machine on its side.

# ELECTRICITY

Fused and earthed supply: 240V 50Hz a.c.

Mains lead: 3 core 2.7 m 9ft

Fuse ratings: 13A

## WARNING THIS APPLIANCE MUST BE EARTHED

If this appliance is fitted with a non-rewireable plug for which your socket is unsuitable then it should be cut off and an appropriate plug fitted. The removed plug should be disposed of as insertion of the plug into a 13 A socket is likely to cause an electrical hazard. If it is necessary to change the fuse in a non-rewireable plug the fuse cover must be refitted. If the fuse cover is lost or damaged the plug must not be used until a replacement is obtained. Replacement fuse covers are available from TEDAS, Limberline Road, Hilsea, Portsmouth, Hants. Tel: 0705 664466. It is important that the colour of the replacement fuse cover corresponds with the colour marking on the base of the plug.

**IMPORTANT-** The wires in the mains lead are coloured in accordance with the following code:

GREEN AND YELLOW	EARTH
BLUE	NEUTRAL
BROWN	LIVE

As the colours of the wires in the mains lead of this appliance may not correspond with the colour markings identifying the terminals in your plug proceed as follows:

The wire which is coloured green and yellow must be connected to the terminal which is marked with the letter 'E' or by the 'Earth' symbol  $\equiv$  or coloured green or coloured green and yellow.

The wire which is coloured blue must be connected to the terminal which is marked with the letter 'N' or coloured black. The wire which is coloured brown must be connected to the terminal which is marked with the letter 'L' or coloured red.

The appliance must be protected by a 13 A ASTA approved (BS1362) fuse if a 13 A (BS1363) plug or a non-rewireable plug is used or, if any other type of plug is used, by a 15 A fuse either in the plug or adaptor or at the distribution board.

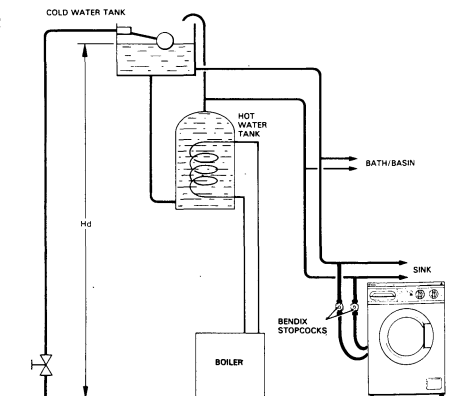
# WATER

Supply: Hot & Cold or Cold only with optional adaptor 25115

Pressure - minimum	25 kN/m <sup>2</sup>	3.5 lb/in <sup>2</sup>
- maximum	1000 kN/m <sup>2</sup>	150 lb/in <sup>2</sup>
Temperature: Hot water	60°C maximum	
Inlet connection	3/4 BSP	3/4 BSP
Inlet hose length	1.35 m	53 in
Water head min.	3.0 m	10 ft

Preferred stopcock position: at side of machine

Stopcock recommended:  
Bendix 24041 hot & 24042 cold



## CONNECTING TO THE WATER SUPPLY

The diagram shows a typical domestic plumbing system. Connections can be made by fitting tee-pieces in the existing pipework. Before using the new pipework for the first time flush out any swarf and flux.

Permanent connections to Bendix stopcocks located at the side of the appliance are recommended. Ensure that they are positioned near enough to the appliance to permit moving it for servicing.

Where necessary the appliance can be used on cold-only water supply by connecting both water inlets by means of a Bendix F-connector 25115.

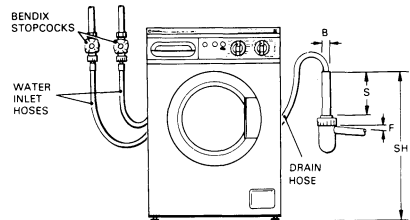
### Instantaneous Water Heaters

This model is suitable for use with some makes of instantaneous gas water-heaters. Full details of compatible water-heaters should be obtained from the heater manufacturer or Gas showroom.

The use of these heaters may require more frequent cleaning of the Home Laundry Centre water inlet filters than would be necessary with other water heating methods.

## DRAINAGE

Length of drain hose	1.2 m	4 ft
Standpipe bore (B)	38-40 mm	1½ in
Standpipe to floor (SH)		
- maximum	1 m	40 in
- minimum	0.6 m	24 in
Preferred minimum standpipe (S)		
	380 mm	15 in
Suggested trap	Bottle type	
Fall to drain (F)	100 mm/m	1 in/ft



## CONNECTING THE DRAINAGE

### Important

Before using your machine for the first time ensure that the drain screen is fitted correctly. Failure to do so may result in a flood.

A standpipe is recommended, with the dimensions shown.

The hose can be hooked over the edge of a sink.

Permanent drainage arrangements should conform to the dimensions given. There must be an airbreak or the appliance may syphon.

The drain pipe should not be pushed into the standpipe more than 200 mm (8 in).

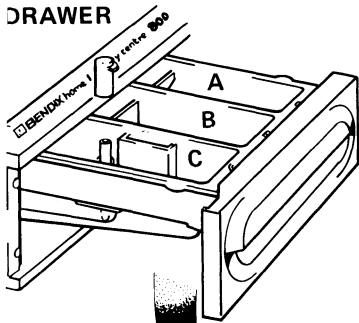
The dimensions given in these instructions are not intended to be direct conversions between metric and imperial units. Please work in one set only.

The recommendations set out are suggestions only. All installations must comply with the requirements of local authorities or public utilities.

This appliance complies with European Economic Community Radio Interference Directive 82/499/E.E.C.

# KNOW YOUR BENDIX HOME LAUNDRY CENTRE

DETERGENT DISPENSER  
DRAWER



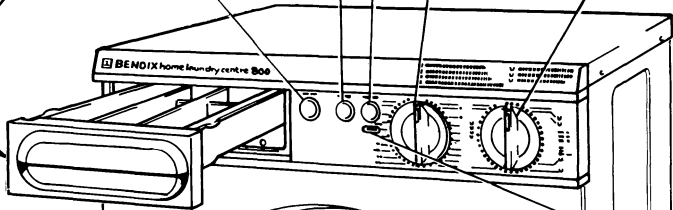
SPIN CANCEL BUTTON

ECONOMY LOAD/  
DRIER LOAD BUTTON

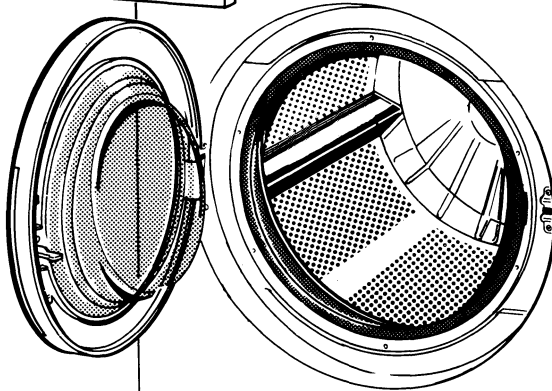
ON/OFF  
BUTTON

DRY TIMER  
DIAL

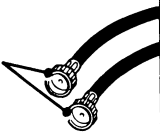
WASH TIMER  
DIAL/PROGRAMME  
SELECTOR



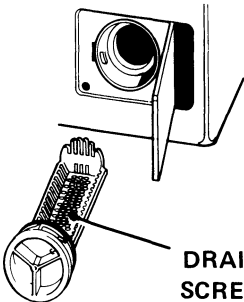
DRIER  
INDICATOR



HOT & COLD  
FILL HOSES



NUT



DRAIN  
SCREEN

6

ADJUSTABLE  
FOOT





**Note:** If the appliance is to be located on an area which is carpeted, we recommend the use of a piece of hardboard beneath the machine to help you locate it correctly.

## **Bathroom Installations**

This appliance must be installed in accordance with the IEE regulations, in particular with regard to installation in bathrooms; if not we reserve the right to refuse to service it.

## **Optional Extras**

Bendix stopcocks 24041 (Hot) and 24042 (Cold), Cold-Fill F-connector 25115.

## **KNOW YOUR BENDIX HOME LAUNDRY CENTRE**

### **Detergent Dispenser Drawer**

The detergent dispenser is so designed that detergents and additives will flush automatically into your machine. It is divided into three compartments "A" and "B" for pre-wash, Bio and main wash powders and "C" for additives i.e. fabric softeners such as Comfort.

**Note:** The detergent dispenser drawer and housing should be regularly cleaned to prevent a build-up of detergent and fabric softener. The dispenser drawer is removed by pulling as far as it will go, then giving a sharp tug. Rinse the dispenser drawer under the tap, dry and replace by slotting the top of the drawer into the runners on the top of the opening and close in the normal way.

### **Mains On/Off Button**

Press to switch on or cancel power to the machine.

### **No Spin**

Press to cancel spin and allow drip dry programmes to be carried out.

### **Economy Load/Drier Load Button**

When pushed, it limits the quantity of water to be heated and is suitable for smaller loads. It must also be pressed for a complete wash/dry programme. (Check the Programme Chart for load sizes).

### **Indicator Light**

This will glow red when tumble drying is taking place.

### **DRYING TIMER**

It is in two sections:

#### **Air Fluff - blue section**

A cold tumble for up to 40 minutes for drying rubber backed or similar items.

#### **Heated tumble**

Up to 120 minutes of heated tumble can be selected including a cool tumble at the end to reduce creasing.

For synthetic fibres the heated tumble time should not exceed 80 minutes. See programme guide page 12.

### **Wash Timer Dial/Programme Selector**

Use this control to select the wash programme required. Once selected the Wash Timer Dial/Programme Selector rotates to indicate how far through the programme your machine has progressed.

ALWAYS TURN CLOCKWISE.

A useful guide for matching fabrics to wash/dry programmes can be seen on the fascia panel and again on page 13.

## **DRAIN SCREEN**

The removable drain screen which protects the pump from lint and foreign matter needs to be cleaned periodically. How often will depend on your wash load e.g. cotton towels and nappies cause more lint to collect than nylon loads.

### **To Remove**

First ensure that your machine is empty. Open the service door by pressing on the right hand side.

Unscrew the bayonet fixing by turning anti-clockwise and pull the drain screen out. Have a cloth or shallow tray under the drain screen housing, as water may run out. Alternatively, select the spin programme and remove the screen during spinning. This will effectively reduce the amount of escaping water.

Clean the screen under running water to help remove any trapped lint. Replace the screen by sliding it back into the housing. Tighten the bayonet fixing by turning clockwise until the screen is secure.

Close the service door.

**Note:** If your Home Laundry Centre is to be sited under a work surface, this will probably block access to the filter for cleaning. Under these circumstances a venting kit should be fitted.

## **FILL AND DRAIN HOSE**

**Most Important:** Make sure that these are not kinked. If the hoses are kinked, the machine will not operate.

## **TRANSIT STRAPS**

**Most Important:** These must be removed before use. Failure to do so will damage your machine.

They should be replaced if the machine is transported to a different location e.g. during a house move.

See Installation Instructions.

## Using your BENDIX Home Laundry Centre

Always use a low sudsing detergent like Persil Automatic in your machine as this is specially formulated to work in conjunction with the Home Laundry Centre to give the best results.

Detergents will be flushed automatically into the machine from the detergent dispenser. The suds level should never rise more than halfway up the porthole. Too much foam will not only impede the wash action of your machine but may rise through the detergent dispenser, making a mess on the floor!

If this should happen clear excessive suds by setting the Wash Timer Dial/Programme Selector to the beginning of the first rinse setting allow the machine to rinse out.

The following quantity of powder is a guide for average water supplies. If the water is very hard, more powder may be needed. If very soft, less will be needed. If you are in doubt refer to the instructions on the packet.

If you have a more heavily soiled load and decide to use the pre-wash before a main wash, use approximately one third of the powder in the pre-wash compartment 'A' of the dispenser and the remaining two thirds in the main wash 'B' compartment.

Note: An average teacup holds (2½-3oz) 75g-90g.

Economy Load		Full Load	
Pre-wash (2oz) 60g	main-wash (3oz) 100g	Pre-wash (2½oz) 75g	main-wash (5½oz) 160g

On selected programmes water enters the machine and flows directly to the drum to ensure optimum use of detergent.

### **Fabric Softeners e.g. Comfort**

All fabrics, particularly towels and nappies, benefit from the use of fabric conditioner in the final rinse. Items of laundry feel softer,

are more easily ironed and the clinging effect of static is considerably reduced.

**To use:** Pour the conditioner into the "Additives" compartment "C" of the detergent dispenser. Under no circumstances overfill as the conditioner will immediately be syphoned into the machine and a poor wash will result.

### **Preparation Before You Wash**

Today many garments carry a label under the International Textile Care Labelling Code (ITCLC) indicating the correct type of laundry treatment required. You will find that this label corresponds to the Chart on page 13.

For a complete wash and dry programme load the machine with no more than 2.7 kg (6lb) dry weight of clothes. See chart on page 13.

Sort your washing according to the Care Label number given on the garment, or if absent, according to the fabric and type of wash treatment required. Your Bendix Home Laundry Centre takes up to 10 lb (4½ kg) dry weight on clothes. See chart on page 13.

Check also that the fabrics are suitable for tumble drying if you are selecting a dry programme.

If you decide to mix fabrics, always use the wash programme for the most delicate fabric in the load. For example a wash load made up with fabrics from the wash groups 1/ and 2/ should be washed on 2/, similarly a wash load with fabrics from 3/ and 4/ should be washed on 4 etc. White nylon, and delicate items i.e. programmes 3/, 4/, 6/, should be washed separately.

Make sure that all pockets have been emptied, zips fastened and apron strings tied. Remove pins and other small objects which could harm clothes if they become separated in the machine.

If possible make up loads of similar soiling keeping heavily soiled items separate from lightly soiled clothes. Heavily soiled parts such as shirt cuffs and collars may be pre-treated by brushing with a solution of detergent and water; this should be applied lightly to the right side of the garment.

### **Stain Removal**

Most household stains come out in the normal wash but there are some which require special treatment. The following hints may help with common stains.

When using a stain remover or bleach follow the makers' direction carefully. Never use full strength bleach on any fabrics.

Rinse thoroughly after any special treatment. Chemicals left in fabrics can weaken or destroy some fibres. Test fabrics for possible damage to fibres or colour before tackling the stained area. For details on Stain Removal see page 17.

### **Loading the Drum**

When you have a large wash load made up of shirts, towels, pillowcases, pyjamas and other similar small items, pack them loosely into the drum.

Large items, a candlewick bedspread for instance, should be washed individually as an article as bulky as this will fill the drum on its own.

When washing a mixed load, put medium and small items into the cylinder alternately. A sheet should be picked up by the centre tentwise, shaken and then folded, pressing out the air.

### **Programme Choice**

The choice of programmes on your machine enables you to select the best wash/dry programme for your load. The programmes on the Wash Timer Dial/ Programme Selector correspond to the Care Labelling Code of the International

Care Labelling Scheme. See the chart on page 13.

### **To Set a Wash/Dry Programme**

1. Load the drum with clothes maximum dry weight 2.7 kg (6 lb) or 1½ kg (3½ lb) synthetics. Close the door.
  2. Select a programme - see chart on page 13.
  3. Select Drying Time - see guide on page 15.
  4. Press the Economy load/Drier load button.
  5. If wash programmes 3/, 4/ or 6/ have been selected, press the "pause cancel" button to enable a full wash/dry programme to be completed. If, however, 1/, 2/ or 5/ have been selected for a full wash/dry programme then check that the button is not pressed in.
- NOTE: Woollen garments should under no circumstances be tumble dried. See following page.
6. Put the detergent and fabric conditioner into the dispenser.
  7. Press the on/off button to start the machine.

### **Bio/Pre-wash**

On more heavily soiled wash loads a Bio/Pre-wash will help to produce a better wash by loosening stains or soil ready for the main wash. Put sufficient low suds detergent (Bio low suds detergent may be used) into Section A of the soap dispenser as well as B, the Main Wash section. Select the pre-wash closest to the desired main wash programme. Once the 'On/Off' button has been pressed the machine will fill and heat the water to approximately 40°C whilst starting its reverse tumble wash action.

The Bio/Pre-wash takes approximately 20 minutes after which time the machine will automatically continue with the adjacent main wash programme.

The wash timer dial programme selector must be manually advanced to those programmes not adjacent to a pre-wash ie, 4/ 5/ and 6/.

A Bio/Pre-wash should not be used prior to programme 7/ (Wool) as this may have an adverse effect on woollen items.

## **Main Wash**

To start the machine without a Bio/Pre wash ensure that the Wash Timer Dial/ Programme Selector is turned clockwise to the desired programme, (see chart) and the correct quantity of low suds detergent is in the main wash compartment of the detergent dispenser. Start the machine by pressing the on/off button.

For Programmes **4**, **5**, **6** and **7** the detergent for Main Wash should be placed in the pre-wash compartment A.

## **Woollens Wash**

Your Bendix Home Laundry Centre has a programme for woollen articles which has been approved by the International Wool Secretariat (IWS) for machine washable articles. Select it by turning the Wash Timer Dial/ Programme Selector to the programme **7**.

Do not wash woollens in your Bendix unless the garment has been labelled 'machine washable'. This means that it has been specially treated to minimise shrinkage. However, it is advantageous to spin woollen articles that have been washed and rinsed by hand as this removes most of the excess water by setting the Wash Timer Dial/ Programme Selector to 'Spin'.

After spinning remove from the drum, pull into shape and dry flat if possible. Avoid direct heat.

Dry Woollens carefully to preserve their texture and shape.

## **Note**

Do not be tempted to put woollen garments into the tumble drier unless specifically labelled 'machine wash, machine dry' and take care not to select a complete wash/dry programme on wash programme **7**.

## **Blankets**

Blankets that are labelled 'Machine Washable' can be safely washed on the Wool Programme **7**. Most blankets

manufacturers issue specific instructions for the treatment of their products. Sometimes they will stipulate hand washing or dry cleaning. This particularly applies to wool cellular and honeycomb blankets which should not be machined washed.

## **Rinsing**

All wash cycles automatically include multiple rinses and the programmes for natural fibres go on to spin automatically. It is during the last of the rinses that fabric softener is taken into the machine.

The four programmes for synthetics and delicate fabrics (see page 13) have a 'pause' feature giving rinses and then retaining the last rinsing water. This useful feature prevents excess creasing. When you are ready to remove the clothes from the machine, turn the Wash Timer Dial/ Programme Selector to 'Spin' and the programme will be automatically completed.








If the machine is fully programmed for automatic tumble drying the 'pause' feature will be overridden.

Use this feature for drip dry articles. When you are ready to remove the clothes for drip drying, turn the Wash Timer Dial/ Programme Selector to 'Spin' to drain the water and then turn further to the stop position.

After 1½ minutes delay, the door may be opened and the clothes removed.

Items that have been hand washed can be rinsed and spun in your Bendix using the rinse and spin sections of the wash cycles.

## Programme Guide

Programme	Fabric	Bio/ Pre-wash 40°	Main Wash	Number of Rinses	Pause	Spin rpm	Full Load Wash only	Economy load/ wash dry/ Dry only	Recmd'd Drying Time	Notes
	Whites, cottons and linen	Select if required	95°C	4	No	800	4½ kg (10 lb)	2.7 kg (6 lb)	Up to 120 min	A very high temperature maximum wash action which allows oxygen bleaches to work to maximum effect. Keeps whites white.
	Colour fast cotton and linen	Select if required	60°C	4 (3 if pre-wash set)	No	800	4½ kg (10 lb)	2.7 kg (6 lb)	Up to 120 min	A hot wash with maximum wash action to keep colours bright and fresh looking.
	White nylon, Sturdy synthetics	Select if required	60°C	3	Yes	500	2 kg (4½ lb)	1½ kg (3¼ lb)	Up to 80 min	A hot wash with medium wash action for white nylon and white polyester cotton mixed. Always wash white nylon separately as it picks up dyes from coloured synthetics.
	Coloured nylon, Polyester, cotton mixtures terylene drip dry	No Bio/Pre-wash	*50°C	3	Yes	500	2 kg (4½ lb)	1½ kg (3¼ lb)	Up to 80 min	A warm wash with medium wash action to preserve the appearance of coloured synthetic fibre and cotton mixtures
	Non-colour fast cotton and linen	No Bio/Pre-wash	*40°C	3	No	800	4½ kg (10 lb)	2.7 kg (6 lb)	Up to 120 min	A tepid wash with maximum wash action to prevent the transfer of colour from non fast coloured cottons and linens etc.
	Delicate fabrics	No Bio/Pre-wash	*40°C	3	Yes	500	2 kg (4½ lb)	1½ kg (3¼ lb)	Up to 80 min	A tepid wash with a minimum wash action to care for delicate fabrics.
	Machine washable woollens	No Bio/Pre-wash	*40°C	3	Yes	500	1½ kg (3¼ lb)	-	-	A tepid wash with special wash action to care for machine washable woollens.

**NOTE:**

- a\* Detergent for Main Wash should be placed in the Pre-wash compartment A.
- b For a complete Wash and Dry load on Programmes 1-6 the Economy/drier load button should be pressed then select the drying time.

## Tumble Drying

The Economy load/Drier load button should always be pressed for a complete wash and tumble dry programme. No more than 2.7 kg (6 lb) should be washed and dried at one time. For synthetics, the load should be limited to 1½ kg (3½ lb). Clothes may also be tumble dried that have not been previously washed, rinsed and spun. Clothes that are dripping wet should not be loaded into the drier.

### Procedure

1. Load the clothes into the machine and close the door.
2. Set the Wash Timer Dial/Programme Selector to 'Dry'.
3. Press the Economy load/Drier load button.
4. Set the Drying Timer.
5. Press the On/Off button.

The cold tumble marked in blue on the Drying Timer is specifically for drying foam backed items or freshening up curtains and towels that may have been flattened during prolonged storage, however, heat should not be used when drying articles containing foam rubber or rubber-like materials.

The drier is intended for use only where water solution is used in the cleaning process.

WOOLLENS should NOT be dried in the drier unless specifically marked "Machine Wash Machine Dry".

Starched or partially starched garments should have a heavier starch than those garments to be line-dried. Remove the starched items from the drier before they are completely dried.

Some plastic buttons will warp and lose their original shape when subjected to even a moderate degree of heat especially dry heat, for any length of time. Some types of plastic buttons should not be put into your drier at all. In every instance it is desirable to remove garments having plastic buttons at the damp dry stage.

Silks and other delicate fabrics should never be dried completely, only to ironing dryness whether they are for ironing or not.

**NOTE:** Some fabrics may tend to cling to the interior surface of the drum after spin drying. It is advisable to switch off the machine, open the door, and redistribute the articles, separating them as necessary to allow them to tumble freely. This will improve the drying efficiency and avoid the possibility of creasing.

## Approximate Drying Times per lb of dry material (to Bone Dry)

Material	Heat Setting	Time
Towelling	High	30 mins
Cotton	High	25 mins
Polyester/Cotton	Normal	35 mins
Synthetics	Normal	35 mins

## After Use

1. We recommend that both hot and cold taps are turned off.
2. Make sure that the Drying Timer is at the 'Stop' position.
3. Switch off the On/Off button.
4. Leave the porthole door slightly ajar to assist in drying out.
5. Ensure that the drain screen is clean, especially after washing nappies and towels. If this is not done regularly you may find your Bendix will not drain efficiently. Always remove and clean the drain screen when the machine is empty. Don't forget to replace the drain screen after cleaning. See page 9.
6. Remove the lint filter, clean and replace.

## What's gone wrong?

If your machine won't work please check the following list to make sure that you haven't overlooked anything which might prevent your Bendix from functioning. It will help both you and us.

1. Check the 13 amp fuse in the plug. You could try another appliance from the same socket in case the main fuse has blown.
2. Be sure that the hot and cold taps have been fully turned on.
3. Have you selected a Programme ?
4. Check to see that the door is fully closed. The door safety switch prevents the heater and motor operating if the door is not fully closed.
5. Is your machine overloaded? If so the motor protector switch will stop the motor. If overloading is the problem, remove some of the clothes but take care not to scald yourself in doing so.
6. Check that the drain and fill hoses are not kinked and have been fitted correctly.
7. Does the drain screen need cleaning? (See page 9.) Remember to first drain off any water in the appliance.
8. Check that you have selected the correct heat setting to enable your machine to complete a full wash/dry programme.

If after checking all these points your machine still does not work, contact your nearest TEDAS Branch. See list on page 20, or look under 'Bendix' in the telephone book.

**Note:** If on making a service call, our engineer finds that the only attention required is to remedy one of the above conditions, a charge will have to be made whether the machine is in or out of the guarantee period, or under Service Contract. Please do not telephone for Service until you are sure it is required.

## Moving House

If you plan to move, contact your authorised Bendix Service Branch to see what should be done before and during the moving of your machine, particularly in respect of fitting the transit straps.



## Guide to wash load weights

Regular Wash	Sheet ... Cotton	(double)	2½lb.	1.1 kg
		(single)	1½lb.	670g
	Other than cotton	(double)	1½lb.	670g
		(single)	1¼lb.	570g
	Cot Sheet		6oz.	170g
	Pillowslips Cotton		4oz.	113g
	Others		3oz.	85g
	Bath Towel		1½lb.	680g
	Hand Towel		9oz.	255g
	Tablecloth Small		8oz.	227g
	Large		1½lb.	680g
	4 table napkins		6oz.	170g
Personal	Shirt ... Cotton		10oz.	283g
	Others		7oz.	198g
	Blouse ... Cotton		5oz.	142g
	Others		4oz.	113g
	Cotton Vest		4oz.	113g
	Underslip		4oz.	113g
	Panties		2oz.	56g
	Bras		1oz.	28g
	Pyjamas		12oz.	340g
	Nightdress		5oz.	142g
	Socks ... Long 2 pairs.		6oz.	170g
	Short 2 pairs.		3oz.	85g
	6 Hankies		3oz.	85g
	1 doz. Nappies		2½lb.	1.1kg
Special Wash	Candlewick Bedspread			
	Double		7lb	3.18kg
	Single		5lb	2.27kg
	Blanket ... Wool		4¼lb.	2kg
	Acrylic		3¼lb.	1.5kg
	Dress ... Cotton		12oz.	340g
	Others		12oz.	340g
	Sweater ... Wool		14oz.	400g
	Others ... Heavy		12oz.	340g
	Lightweight		6oz.	170g
	Crimplene Suit			
	Heavyweight		3lb.	1.36kg
Lightweight		2lb.	910g	
Skirt		7oz.	198g	

## Stains

<b>Coffee, Tea, Fruit, Wine,</b>	These are usually removed in the wash. For old stains, soak in a biological wash product, then launder in the usual way.
<b>Grass, Ink, Ballpoint</b>	Dab with methylated spirits over a soft cotton pad, then launder in the usual way. Do not use methylated spirits on Tricel. Treat ink stains on Tricel with Glycerine.
<b>Tar</b>	Scrape off excess, dab with petrol over a soft cotton pad. (Caution. Petrol is inflammable).
<b>Scorch</b>	Moisten light stains and soak in glycerine then wash. If stains remain, soak in one part hydrogen peroxide to nine parts water; wash through and rinse thoroughly.
<b>Iron Mould</b>	Soak light stains in lemon juice, press between damp cotton, repeat if necessary.
<b>Grease, Fat, Lipstick, Blood, Egg, Milk, Cream, Meat Juice</b>	Treat with a proprietary grease solvent. Soak in biological solution, then launder in the usual way.
<b>Mildew</b>	Treat with peroxide. Soak (using one part hydrogen peroxide to nine parts water), rinse well. Care must be taken with coloured fabrics.

Before washing your coloured garments - check that the colours are fast!

Usually it is recommended that coloureds be washed separately from whites, but some fast dyed items i.e. sheets, towels can safely be washed together with your family household linen.

Non-fast coloured articles should always be washed at the recommended temperature.

## Care Labelling

Many garments carry a label under the International Textile Care Labelling scheme indicating the correct type of wash treatment required. Sort your washing according to the Care Label present.



This process is used for white cotton and linen articles without special finishes and provides the most vigorous washing conditions. Wash temperature can be up to boiling (100°C) and agitation and spinning times are maximum. This ensures good whiteness and stain removal.



Process 2 is for cotton, linen or rayon articles without special finishes where colours are fast at 60°C. It provides vigorous wash conditions but at a temperature which maintains fast colours.



Used for white nylon or white polyester/cotton mixtures, this process is less vigorous than either 1 or 2. The wash temperature (60°C) is high enough to prolong whiteness, and cold rinsing followed by a short spinning minimises creases.



This process is for coloured nylon, polyester; cotton and rayon articles with special finishes; acrylic/cotton mixtures and coloured polyester/cotton mixtures. In all respects except for washing temperature it is the same as process 3. The lower temperature hand hot (50°C) safeguards the colour and finish.



Suitable for cotton, linen or rayon articles where colours are fast at 40°C, but not a 60°C, this process has warm wash (40°C), medium agitation, normal spinning or wringing. The low wash temperature is essential to safeguard colour fastness.



This is for those articles which require low temperature washing (40°C) minimum agitation, a cold rinse and a short spin e.g. acrylics; acetate and triacetate, including mixtures with wool; polyester/wool blends. These conditions preserve colour and shape and minimise creasing.



Similar to process 6, this process is for wool, including blankets, and wool mixtures with cotton or rayon; silk, which needs low temperature washing (40°C) and minimum agitation but requires normal spinning. Washing in this way preserves colour, size and handle. These fabrics should not be subjected to hand wringing or rubbing.



Unlikely to appear on UK produced goods, this process is for silk and printed acetate fabrics, with colours which are not fast at 40°C, requiring to be washed at a very low temperature (30°C), with minimum agitation and spinning.



Again rarely to be found on UK produced goods, this process is for cotton articles with special finishes which benefit from a high temperature (95°C) wash but require drip drying.



This symbol indicates those articles which must not be machine washed.



Articles which must not be washed at all will bear this sign.

## Washing Temperatures

100°C	Boil	Self-explanatory
95°C	Very hot	Water heated to near boiling temperature.
60°C	Hot	Hotter than the hand can bear. The temperature of water coming from many domestic hot taps.
50°C	Hand-hot	As hot as the hands can bear.
40°C	Warm	Pleasantly warm to the hand
30°C	Cool	Feels cool to the touch



### BLEACHING



This symbol indicates that household (chlorine) bleach could be used. Care must be taken to follow the manufacturer's instructions.



When this symbol appears on a label household bleach must not be used.



### IRONING

The number of dots in the ironing symbol indicates the correct temperature setting - the fewer the dots the cooler the iron setting.



COOL



WARM



HOT



DO NOT IRON

## Fabric Softeners - e.g. Comfort

All fabrics particularly towels and nappies benefit from the use of fabric conditioners in the final rinse. Items of laundry feel softer, and easier to iron and the clinging effect of nylon is considerably reduced.

To use follow the manufacturer's instructions on the bottle.

## TUMBLE DRYING

Articles marked with  symbol will benefit from tumble drying.

Articles marked with  should not be tumble dried.

# HELP US TO HELP YOU

Please determine your type of enquiry before writing or telephoning:

## 1. SERVICE

In the event of your appliance requiring service Tricity Bendix Domestic Appliances have an arrangement with Electrolux Group Service.

Before calling out an Engineer, please ensure you have read the details under the heading 'Service Check' and have the model number and purchase date to hand. The telephone number and address for service is detailed on the list headed 'Customer Service Centres'.

**PLEASE NOTE** that all enquiries concerning service should be addressed to your local Customer Service Centre.

## 2. CUSTOMER RELATIONS DEPARTMENT

FOR GENERAL ENQUIRIES concerning your Tricity or Bendix appliance, or further information on Cookers, Microwaves, Refrigeration or Home Laundry equipment, you are invited to contact our Customer Relations Department.

We have fully trained Home Economists and Advisors just a telephone call away who can provide product information and brochures.

Do not hesitate to contact us by letter or telephone as follows:

Tricity Bendix  
Customer Relations Dept.  
Tricity Bendix House  
55-59 High Road  
Brox Bourne  
Herts EN10 7HJ  
Tel: 0992 469080

## CUSTOMER SERVICE CENTRES

In the event of your domestic appliance requiring service this can be obtained by calling the nearest Customer Service Centre on the number given below. The areas are defined by Postcode for easy reference.

<b>ABERDEEN</b> IV, KW, AB, DD PH	<b>0224-696569</b>	Electrolux Service 8 Cornhill Arcade, Cornhill Drive, Aberdeen AB2 5UT
<b>ALDERSHOT</b> RG, GU, KT RH	<b>0252 24505</b>	Electrolux Service Hippodrome House, Birchett Road, Aldershot GU11 1LU
<b>BELFAST</b> BT	<b>0232 746591</b>	Electrolux Service Unit C3, Edenderry Ind. Estate, 326 Crumlin Road, Belfast
<b>BIRMINGHAM</b> DY, WR, B WV, TF, ST, WS	<b>021 3587076</b>	Electrolux Service 8 Lammermoor Avenue, Great Barr, Birmingham B43 6ET
<b>BRIGHTON</b> BN	<b>0273 694341</b>	Electrolux Service 31 Bristol Gardens, Kemptown, Brighton BN2 5JR
<b>BRISTOL</b> BS, BA, SN	<b>0272 211876</b>	Electrolux Service 3 Waring House, Redcliffe Hill, Bristol BS1 6TB
<b>CANVEY ISLAND</b> RM, CM, SS, CO, IG	<b>0268 694144</b>	Electrolux Service 2-4 Sandhurst, Kings Road, Canvey Island SS8 0QY
<b>CARDIFF</b> SA, LD, HR, NP, CF	<b>0222 460131</b>	Electrolux Service Guardian Industrial Estate, Clydesmuir Road, Tremorfa, Cardiff CF2 2QS
<b>EDINBURGH</b> KY, EH, TD, FK	<b>031 229 1232</b>	Electrolux Service 4 Lochrin Place, Tollcross, Edinburgh EH3 9QY
<b>GATESHEAD</b> NE, CA, DL, TS, DH, SR	<b>091 493 2025</b>	Electrolux Service Suite 3, Saltwell House, Lobley Hill Road Gateshead NE8 4DD
<b>GLASGOW</b> DG, KA, ML, PA, G	<b>041 647 4381</b>	Electrolux Service 20 Cunningham Road, Clyde Estate, Rutherglen Glasgow G73 1PP
<b>LEEDS</b> DN, HU, YO, HG, WF, LS, S HX, HD, BD	<b>0532 608511</b>	Electrolux Service 64-66 Cross Gates Road, Leeds LS15 7NN
<b>LEICESTER</b> LE, DE, NG, LN, CV	<b>0533 515131</b>	Electrolux Service 10-12 Buckminster Road, Leicester, LE3 9AR
<b>LONDON (NORTH)</b> EC, WC, NW, EN, E, N, W	<b>01 443 3464</b>	Electrolux Service Unit C, Mollison Avenue, Ponders End, Enfield Middlesex EN3 7SR
<b>LONDON (SOUTH)</b> SW, SE, SM, CR, BR	<b>01 658 9069</b>	Electrolux Service 127 Croydon Road, Beckenham, Kent
<b>LONDON (WEST)</b> HA, WD, UB, TW	<b>01 965 9699</b>	Electrolux Service 842 Coronation Road, Park Royal, London NW10
<b>LUTON</b> LU, MK, SG, CB, AL	<b>0582 575966</b>	Electrolux Service 101 Oakley Road, Luton LU4 9QQ
<b>MANCHESTER</b> SK, BL, OL, BB, M	<b>061 330 5081</b>	Electrolux Service Ashton Street, Dukinfield Manchester SK16 4RN
<b>NEWTON ABBOT</b> TR, PL, TQ, EX, TA	<b>0626 65909</b>	Electrolux Service 2nd Floor (7), Bridge House, Courtenay Street, Newton Abbot TQ12 2QS
<b>NORWICH</b> PE, NR, IP	<b>0603 667017</b>	Electrolux Service 1 Malthouse Lane, Norwich, Norfolk
<b>OXFORD</b> GL, OX, NN, HP, SL	<b>0993 704411</b>	Electrolux Service Suite 3, Windrush Court, 56A High Street, Witney OX8 6BL
<b>PORTSMOUTH</b> BH, SP, DT, PO, SO	<b>0705 667411</b>	Electrolux Service Limberline Road, Hilsea, Portsmouth PO3 5JJ
<b>SOUTHPORT</b> CW, CH, LL, SY, LA, WA, WN, PR, FY, L	<b>0704 29221</b>	Electrolux Service Slaidburn Crescent, Fylde Road Industrial Est Southport PR9 9YF
<b>TONBRIDGE</b> TN, DA, ME, CT	<b>0732 357722</b>	Electrolux Service 61-63 High Street, Tonbridge TN10 3RY

October 1988/01



**Tricity Domestic Appliances Limited**

55-59 High Road, Brox Bourne, Herts EN10 7HJ

NBX 0070/1